



De Soto Hutch Base (for Double Tower Hutch): 825-HB30-BW

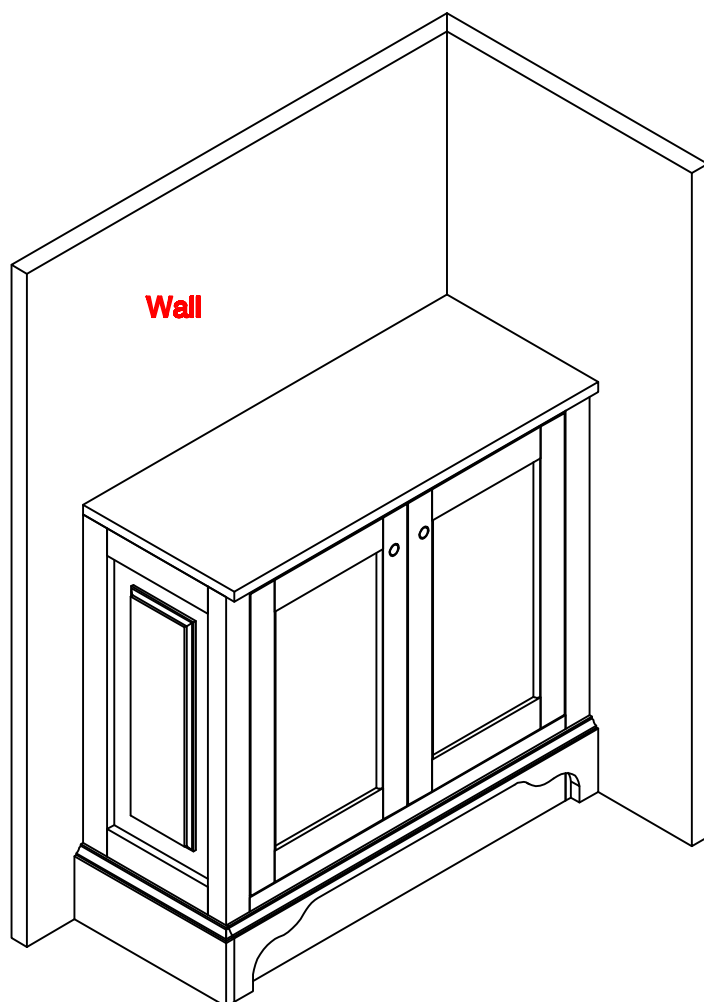
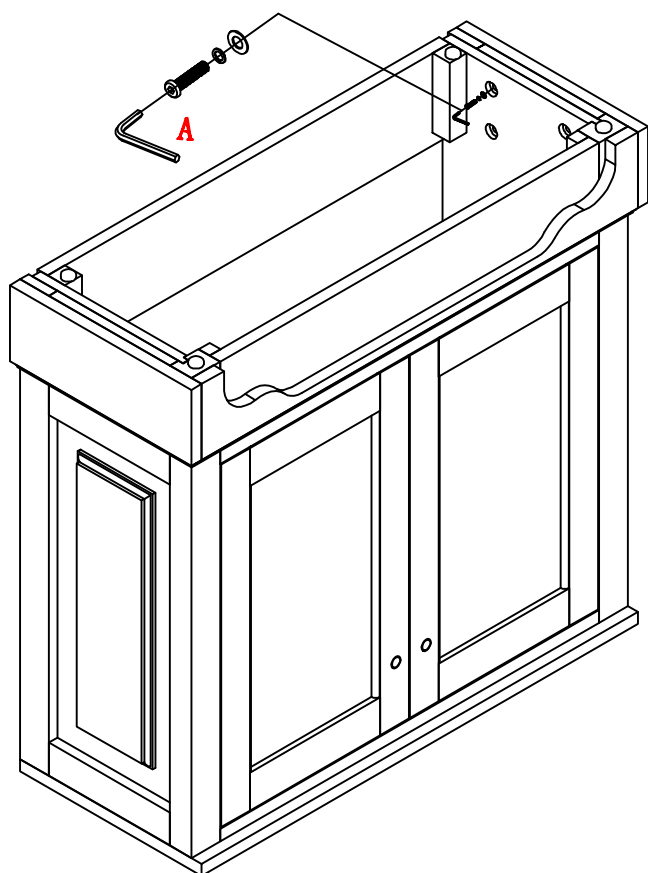
Assembly / Installation Instructions

Important Notes:

You may remove the base crown moulding on either side if you wish to install the cabinet flush against a side wall. If you plan to use the cabinet as free-standing item, then please ignore the instructions. If you plan to use the cabinet against a side wall (corner), then please follow the instructions.

For your safety and to achieve the best possible installation of this vanity cabinet, James Martin Vanities always recommends you consult with a professional contractor. Two people are required for the assembly and installation of these cabinets.

A = 1 PC Allen Wrench (#4)



Note 1: De Soto cabinets feature removable side base moulding (Kick plates) to allow for flush placement against side walls and corners.

Step 1 Notes: To access the bolts which hold the base moulding in place, you will need to turn the cabinet upside down. Please use a blanket or other soft material to prevent scratching.

Step 2 Notes: Remove the bolts and washers from the inside of the cabinet using the Allen wrench which is included inside the specially marked red color hardware bag. (this hardware bag is included with the cabinet)

Step 2a Notes: Once you have removed the side moulding, you may place the cabinet against a side wall to achieve a "built-in" appearance for your cabinet.

Noted 2: You may wish to keep the side base moulding piece and hardwares for future use.